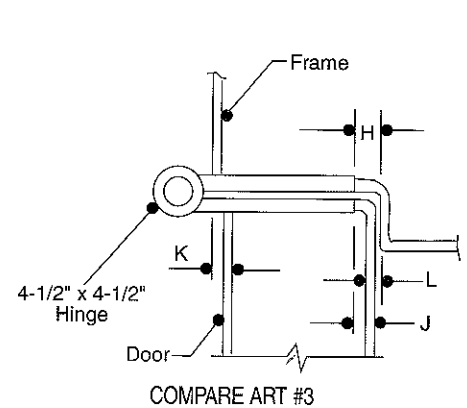
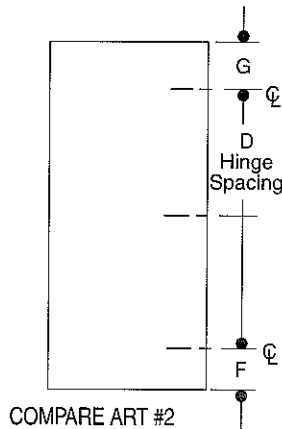
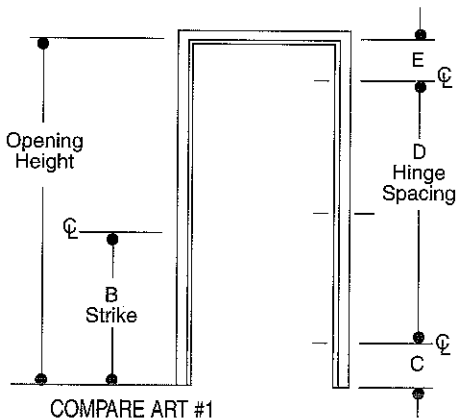


# HINGE AND STRIKE SPACING

## COMPARATIVE HINGE AND STRIKE SPACING for 1 3/4" Doors and Frames

MANUFACTURER	A	B	C	D	E	F	G	H	J	K	L
AMWELD	6'8" 7'0" 7'2" 7'10" 8'0"	40-5/16"	10-3/8" 10-3/8" 12-3/8" 8-3/8" 10-3/8"	2 @ 29-15/16" 2 @ 31-15/16" 2 @ 31-15/16" 3 @ 25-5/16" 3 @ 25-5/16"	9-3/4"	9-5/8" 9-5/8" 11-5/8" 7-5/8" 9-5/8"	9-5/8"	1/4"	3/16"	1/8"	1/16"
CECO	6'8" 7'0" 7'2" 7'10" 8'0"	41-13/16"	9" 9" 9" 7" 9"	2 @ 31" 2 @ 33" 2 @ 34" 3 @ 26" 3 @ 26"	9"	8-1/4" 8-1/4" 8-1/4" 6-1/4" 8-1/4"	8-7/8"	5/16"	1/4"	1/8"	1/16"
COPCO	6'8" 7'0" 7'2" 7'10" 8'0"	40-5/16"	10-3/8" 10-3/8" 10-3/8" 8-3/8" 10-3/8"	2 @ 29-15/16" 2 @ 31-15/16" 2 @ 31-15/16" 2 @ 32-15/16" 2 @ 25-19/64" 2 @ 25-19/64"	9-3/4"	9-5/8" 9-5/8" 9-5/8" 7-5/8" 9-5/8"	9-5/8"	5/16"	7/32"	1/32"	3/32"
CURRIES	6'8" 7'0" 7'2" 7'10" 8'0"	40"	12-1/4"	2 @ 30-1/4" 2 @ 32-1/4" 2 @ 33-1/4" 2 @ 37-1/4" 2 @ 38-1/4"	7-1/4"	11-5/8"	7-1/8"	5/16"	1/4"	1/8"	1/16"
DEANSTEEL	6'8" 7'0" 7'2" 7'10" 8'0"	40-5/16"	12-1/4"	2 @ 30-1/4" 2 @ 32-1/4" 2 @ 33-1/4" 24-7/8" - 24-3/4" - 24-7/8" 3 @ 25-1/2"	7-1/4"	11-1/2"	7-1/8"	5/16"	1/4"	1/8"	1/16"
GENERAL PRODUCTS	6'8" 7'0" 7'2" 7'10" 8'0"	40-5/16"	12-1/4" 12-1/4" 12-1/4" 10-1/4" 12-1/4"	2 @ 30-1/4" 2 @ 32-1/4" 2 @ 33-1/4" 3 @ 25-1/2" 3 @ 25-1/2"	7-1/4"	11-1/2" 11-1/2" 11-1/2" 9-1/2" 11-1/2"	7-1/8"	5/16"	1/4"	1/8"	1/16"
KEWANEE	6'8" 7'0" 7'2" 7'10" 8'0"	40-5/16"	10-1/4"	2 @ 30-1/16" 2 @ 32-1/16" 2 @ 33-1/16" 24-11/16" - 24-3/4" - 24-11/16" 3 @ 25-3/8"	9-5/8"	9-1/2"	9-1/2"	5/16"	1/4"	1/8"	1/16"
MESKER	6'8" 7'0" 7'2" 7'10" 8'0"	40-5/16"	12-1/4" 12-1/4" 12-1/4" 10-1/4" 12-1/4"	2 @ 30-1/4" 2 @ 32-1/4" 2 @ 33-1/4" 3 @ 25-1/2" 3 @ 25-1/2"	7-1/4"	11-1/2" 11-1/2" 11-1/2" 9-1/2" 11-1/2"	7-1/8"	5/16"	1/4"	1/8"	1/16"
PIONEER	6'8" 7'0" 7'2" 7'10" 8'0"	38"	12-1/4" 12-1/4" 12-1/4" 12-5/16" 12-1/4"	2 @ 30-1/4" 2 @ 32-1/4" 2 @ 33-1/4" 3 @ 24-13/16" 3 @ 25-1/2"	7-1/4"	11-5/8" 11-5/8" 11-5/8" 11-5/8" 11-5/8"	7-1/8"	5/16"	7/32"	3/32"	3/32"
REPUBLIC	6'8" 7'0" 7'2" 7'10" 8'0"	40-5/16"	10-3/8" 12-3/8" 12-3/8" 12-3/8" 12-3/8"	2 @ 29-15/16" 2 @ 29-15/16" 2 @ 30-15/16" 23-1/4" - 23-3/8" - 23-1/4" 24 - 23-7/8" - 24"	9-3/4" 11-3/4" 11-3/4" 11-3/4" 11-3/4"	9-5/8" 11-5/8" 11-5/8" 11-5/8" 11-5/8"	9-5/8"	11-32"	1/4"	3/32"	3/32"
STEELCRAFT	6'8" 7'0" 7'2" 7'10" 8'0"	40-5/16"	10-3/8"	2 @ 29-15/16" 2 @ 31-15/16" 2 @ 32-15/16" 3 @ 24-5/8" 3 @ 25-19/64"	9-3/4"	9-5/8"	9-5/8"	5/16"	1/4"	1/8"	1/16"



- Notes:**
1. Dimensions for hinge and strike locations are to the centerline of the preparation.
  2. Field verification is recommended prior to ordering material.